

## MC PASSIVE

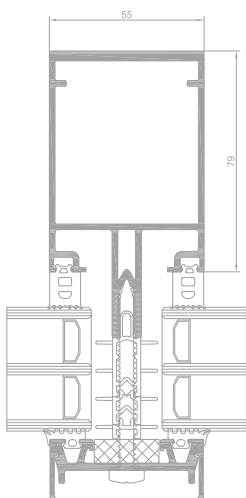
A system used to design modern curtain walls whose shapes are simple and complex, with improved thermal performance ensured.

A selection of painting options, between RAL palette (Qualicoat 1518), wood patterns Aliplast Wood Colour Effect (Qualideco PL-0001), anodized finish, also in bi-colour.

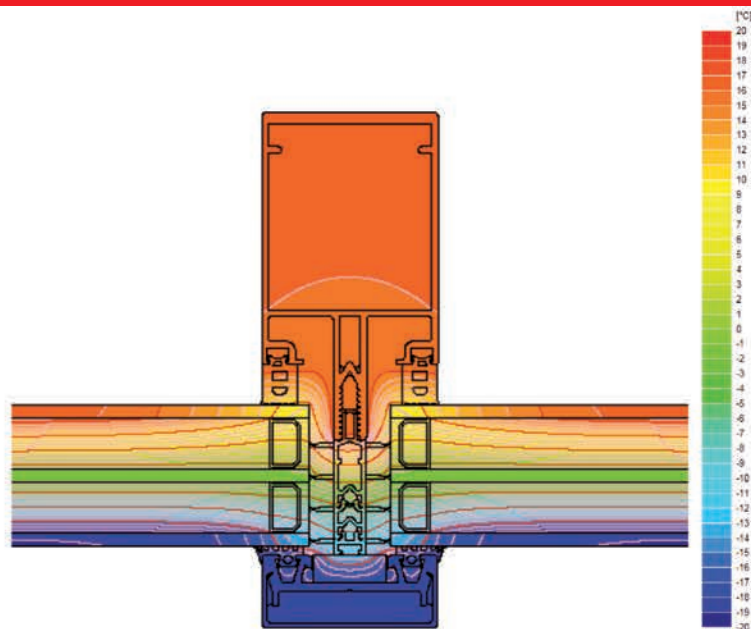
The possibility of using double or triple glazing

Thermal insulation which improves the thermal insulation of the section

# MC PASSIVE



MC PASSIVE mullion cross-section



distribution of isotherms MC PASSIVE +

## MC PASSIVE

# MC PASSIVE

- | A system used to design modern curtain walls whose shapes are simple and complex, with improved thermal performance ensured.
- | Mullion-transom visual width: 55 mm.
- | The improved thermal performance results from application of a new insulator made of innovative materials, which made it possible to obtain an even better heat-transfer coefficient –  $U_f$  starting at  $0,6 \text{ W/m}^2\text{K}$ . MC PASSIVE+ offers one of the highest technical parameters among aluminium facade systems available on the market to respond to needs of the energy-saving and passive building industry.
- | A wide range of mullions and transoms suitable for static requirements.
- | A wide range of decorative cover caps makes it possible to obtain varied visual effects on the curtain wall.
- | The option of bending profiles (detailed specification of profiles and detailed technical parameters of profile bending process are available in the customer area of the website [www.aliplast.pl](http://www.aliplast.pl)).
- | A wide range of colours available - RAL palette, structural colours, Aliplast Wood Colour Effect, bi-colour.

## TECHNICAL SPECIFICATION

SYSTEM	MATERIAL	DEPTH MULLION	DEPTH TRANSOM	GLAZING RANGE	MULLIONS RIGIDITY	TRANSOM RIGIDITY
MC PASSIVE	aluminium	10-326 mm /	10-294 mm /	4-59 mm	od 2,5-4092 cm <sup>4</sup> *	od 0,9-1831,1*

\* There is a possibility to use additional reinforcements.

## PERFORMANCE

SYSTEM	THERMAL INSULATION $U_f$ *	AIR PERMEABILITY	WINDLOAD RESISTANCE	WATERTIGHTNESS
MC PASSIVE	$U_f$ from $0,79 \text{ W/m}^2\text{K}$	Class AE1300; EN 12152	2600 Pa $\pm$ 3900 Pa; EN 13116	Class RE1500; EN 12154

\* Thermal insulation is dependent on a combination of profiles and thickness of the filling.